

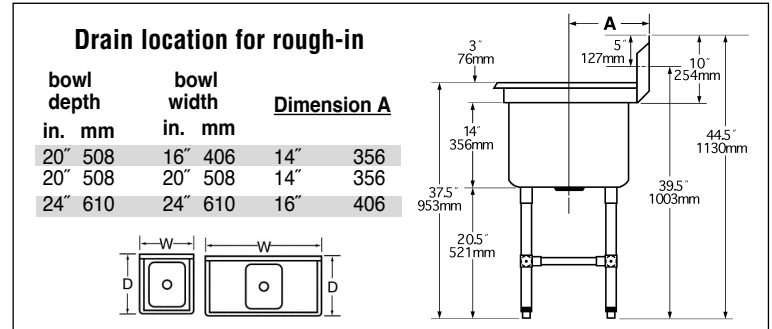
One-Compartment Stainless Steel Sinks



Without Drainboard



With Drainboard



model #	BOWL DIMENSIONS				quantity	DRAINBOARD		OVERALL DIMENSIONS				weight	
	depth	width	depth	width		width	width	depth	width	depth	width	lbs.	kg
SMS-83-FN2016-1-14/3	20"	508	16"	406	0	-	-	27"	686	21"	533	55	24.9
SMS-83-FN2016-1-24/14/3	20"	508	16"	406	2	24"	610	27"	686	66"	1676	105	42.1
SMS-83-FN2020-1-14/3	20"	508	20"	508	0	-	-	27"	686	25"	635	60	27.2
SMS-83-FN2020-1-24/14/3	20"	508	20"	508	2	24"	610	27"	686	70"	1778	110	48.5
SMS-83-FN2424-1-14/3	24"	610	24"	610	0	-	-	31"	787	29"	737	69	31.2
SMS-83-FN2424-1-24/14/3	24"	610	24"	610	2	24"	610	31"	787	74"	1880	119	49.0

Specification Sheet

Short Form Specifications

Unit constructed of 14 gauge 300 series, 18-8 stainless steel throughout. Sink bowls covered with a full 5/8" radius, and shall have a 14" water level. Drainboards, when required, shall be "V" creased for positive drainage. 9 1/2" high backsplash with 1" upturn and tile edge. Legs to be 15/8" O.D., stainless steel, with stainless steel gussets, stainless steel crossbracing and adjustable stainless steel bullet feet.

Assembly:

- Entire assembly is fuse-welded and planished, providing a one-piece seamless sink unit.
- Welded areas are high-speed belt blended to match adjacent surfaces with continuity of satin finish.
- All outside corners of assembly are bullnosed to provide safe, clean edges.
- Water supply is 1/2" (13mm) NPS for hot and cold lines.

Top:

- Drainboards, backsplash and rolled rims are 14 gauge 300 series stainless steel.
- Drainboards, when provided, are integrally welded.
- All rolled edges are highlighted for enhanced appearance.
- 9 1/2" high backsplash with 1" upturn and tile edge.
- 1 1/4" (29mm) faucet holes punched on 8" (203mm) centers.

Base:

- Legs: 1 1/2" (41mm)-diameter stainless steel tubing with stainless steel gussets and fully adjustable stainless steel bullet feet.
- Crossbracing: Adjustable, 1 1/4" (32mm)-diameter stainless steel; running left-to-right and front-to-back.
- Leg locations fall directly under sink bowl*, providing increased stability and maximum weight support.
- Leg gussets welded to a die-cut heavy-gauge stainless steel reinforcing corner plate.
- Legs are crossbraced on all sides for increased stability.

Sink Bowl:

- 14 gauge 300 series stainless steel.
- 14" (356mm) water level, 17" (432mm) flood level.
- Sink compartment covered on a full 5/8" (41mm) radius and constructed using state-of-the-art seamless welding techniques.
- Basket-type waste drain fits sink bowl's 3 1/2" (89mm) opening and features 1 1/2" (38mm) outlet.

* On sinks with drainboard(s) 30" or longer, legs are located underneath the outer end of drainboard(s).